



City of Okmulgee

111 East 4th * PO Box 250

Okmulgee, OK 74447

Phone: (918) 758-1105 * Fax: (918) 758-1176

TAPS (WATER, SEWER & FIRE LINE) & STREET/ALLEY CUTS APPLICATION

PERMIT# _____

BUILDING ADDRESS: _____

LOT: _____ BLOCK: _____ ADDITION: _____

OWNER: _____ ADDRESS: _____

PHONE: _____ CITY, STATE & ZIP: _____

BUILDING CONTRACTOR: _____ ADDRESS: _____

PHONE: _____ CITY, STATE & ZIP: _____

OFFICE PHONE: _____ FAX: _____ EMAIL: _____

WATER

SIZE OF SERVICE: _____ LENGTH: _____ RESIDENTIAL OR COMMERCIAL? _____

REMARKS: _____

PLUMBER: _____ WHO WILL MAKE THE TAP: CONTRACTOR OR CITY? _____

INSPECTION FEE: _____ SERVICE CHARGE: _____

SEWER

SIZE OF SERVICE: _____ LENGTH: _____ RESIDENTIAL OR COMMERCIAL? _____

REMARKS: _____

PLUMBER: _____ WHO WILL MAKE THE TAP: CONTRACTOR OR CITY? _____

INSPECTION FEE: _____ SERVICE CHARGE: _____

FIRE LINE

SIZE OF SERVICE: _____ LENGTH: _____ RESIDENTIAL OR COMMERCIAL? _____

REMARKS: _____

PLUMBER: _____ WHO WILL MAKE THE TAP: CONTRACTOR OR CITY? _____

INSPECTION FEE: _____ SERVICE CHARGE: _____

THERE IS AN INSPECTION FEE OF \$200 FOR THE SPRINKLER SYSTEM WHICH IS CHARGED ON THE PLUMBING PERMIT.

STREET OR ALLEY TRENCH CUT

LENGTH: _____ WIDTH: _____ DEPTH: _____ LOCATION:: _____

DESCRIPTION: _____

CONTRACTOR: _____

TO CONSTRUCT A DRIVEWAY

TO CUT ALLEY

TO CUT STREET

MUST CARRY \$10,000 BOND FOR ALL TRENCH CUTS.

APPLICANT'S SIGNATURE _____

DATE _____

WATER/SEWER SUPERVISOR _____

STREET SUPERVISOR _____

ASSISTANT PUBLIC WORKS DIRECTOR _____

PUBLIC WORKS DIRECTOR _____



City of Okmulgee

111 East 4th * PO Box 250

Okmulgee, OK 74447

Phone: (918) 758-1105 * Fax: (918) 758-1176

TAPS (WATER, SEWER & FIRE LINE) PRICE SHEET

RESIDENTIAL WATER TAP SERVICE CHARGES

SIZE	TAP BY CITY INSIDE CITY LIMITS	TAP BY CITY OUTSIDE CITY LIMITS	TAP BY CONTRACTOR INSPECTION FEE	TAP BY CONTRACTOR METER INSTALLATION BY CITY
3/4"	\$1,465.00	\$1,615.00	\$25.00 PER SERVICE	\$285.00 PER SERVICE
1"	\$1,540	\$1,690.00	\$25.00 PER SERVICE	\$345.00 PER SERVICE
1 1/2"	\$1,970.00	\$2,120.00	\$25.00 PER SERVICE	\$575.00 PER SERVICE

NON-RESIDENTIAL WATER TAP SERVICE CHARGES

SIZE	TAP BY CITY INSIDE CITY LIMITS	TAP BY CITY OUTSIDE CITY LIMITS	TAP BY CONTRACTOR INSPECTION FEE	TAP BY CONTRACTOR METER INSTALLATION BY CITY
3/4"	\$1,465.00	\$1,615.00	\$25.00 PER SERVICE	\$285.00 PER SERVICE
1"	\$1,540.00	\$1,690.00	\$25.00 PER SERVICE	\$345.00 PER SERVICE
1 1/2"	\$2,670.00		\$25.00 PER SERVICE	\$1255.00 PER SERVICE
2"	\$3,435.00		\$25.00 PER SERVICE	\$1950.00 PER SERVICE
3"	\$4,740.00		\$250.00 PER SERVICE	\$2430.00 PER SERVICE
4"	\$6,530.00		\$250.00 PER SERVICE	\$4110.00 PER SERVICE
5"	\$6,830.00		\$250.00 PER SERVICE	\$4110.00 PER SERVICE
6"	\$7,860.00		\$250.00 PER SERVICE	\$5055.00 PER SERVICE
8"	\$8,310.00		\$250.00 PER SERVICE	ACTUAL COST OF METER
>8"	ACTUAL COST		\$250.00 PER SERVICE	ACTUAL COST OF METER

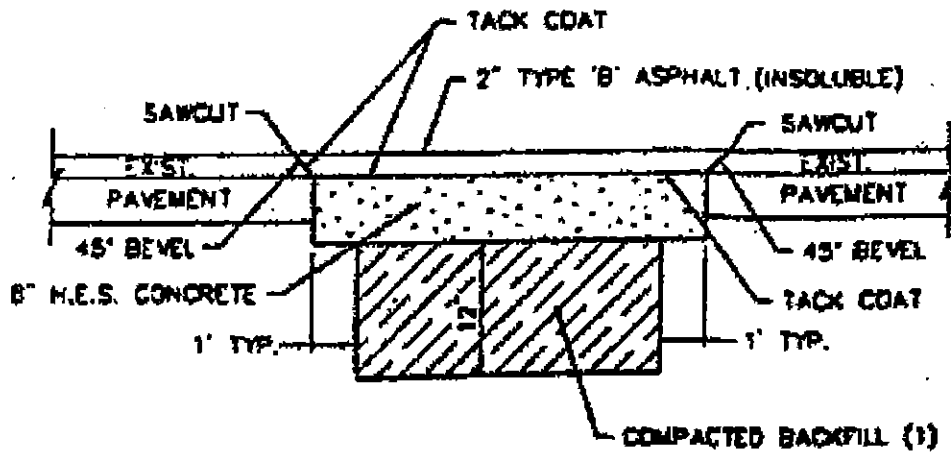
RESIDENTIAL & NON-RESIDENTIAL SEWER TAP SERVICE CHARGES

ALL SEWER TAPS ARE MADE BY THE CONTRACTOR FOR AN INSPECTION COST OF \$250.00. IN ADDITION TO THE CONNECTION AUTHORIZATION AND INSPECTION FEE, AN IMPACT FEE SHALL BE PAID BASED UPON THE SIZE OF WATER METER SERVICING ANY PROPERTY WITHIN THE CITY LIMITS, IN ACCORDANCE WITH THE FOLLOWING SCHEDULE:

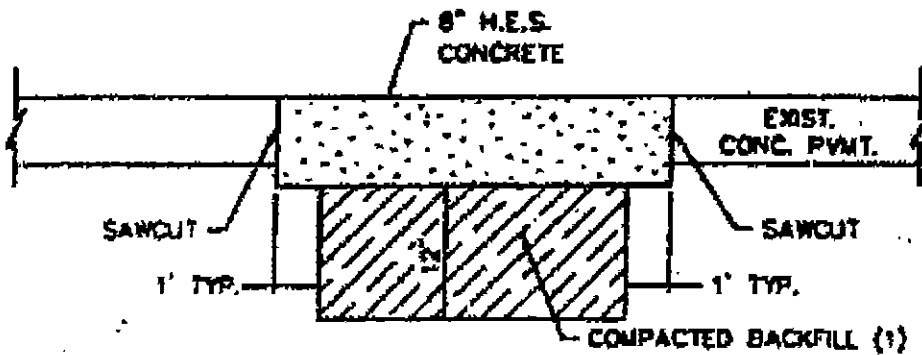
SIZE	TYPE	COST
3/4"	RESIDENTIAL	\$1,000.00
1"	RESIDENTIAL	\$1,500.00
1 1/2"	RESIDENTIAL	\$2,000.00
3/4"	COMMERCIAL	\$1,200.00
1"	COMMERCIAL	\$2,000.00
1 1/2"	COMMERCIAL	\$5,000.00
2"	COMMERCIAL	\$8,000.00
3"	COMMERCIAL	\$18,000.00
4"	COMMERCIAL	\$32,000.00
5"	COMMERCIAL	\$50,000.00
6"	COMMERCIAL	\$72,000.00
8"	COMMERCIAL	\$129,000.00

FIRE LINE TAP SERVICE CHARGES

ALL FIRE LINE TAPS ARE MADE BY THE CONTRACTOR FOR AN INSPECTION COST OF \$250.00. THERE IS A SPRINKLER SYSTEM INSPECTION COST OF \$200.00 WHICH IS CHARGED ON THE PLUMBING PERMIT.



**FULL DEPTH CONCRETE REPAIR
 FOR APC PAVEMENT**
 NOT TO SCALE



FULL DEPTH CONCRETE REPAIR
 (SEE STD. PCPR-2)
 NOT TO SCALE

13.04.050: INSTALLATION FEES:

A. Standard Installation Of Water Service: Standard installation of water service shall include a tap on a city water main and installation of an appropriately sized meter. The water meter shall be placed at a location within the right of way or easement but outside of the portion of any street, alley, or driveway devoted to vehicular traffic. Standard installation of water service includes the typically necessary street cut and street cut repair. Connection of the private service line for the property to be served to the water meter is the responsibility of the property owner and must be performed by a licensed plumber at the property owner's expense.

1. Residential Water Service: The fee for standard installation of residential water service performed by employees of the water and sewer department shall be as follows:

- a. Three-fourths inch ($3/4$ ") line and meter within the city limits: One thousand four hundred sixty five dollars (\$1,465.00);
- b. Three-fourths inch ($3/4$ ") line and meter outside the city limits: One thousand six hundred fifteen dollars (\$1,615.00);
- c. One inch (1") line and meter within the city limits: One thousand five hundred forty dollars (\$1,540.00);
- d. One inch (1") line and meter outside the city limits: One thousand six hundred ninety dollars (\$1,690.00);
- e. One and one-half inch ($1\frac{1}{2}$ ") line and meter within the city limits: One thousand nine hundred seventy dollars (\$1,970.00);
- f. One and one-half inch ($1\frac{1}{2}$ ") line and meter outside the city limits: Two thousand one hundred twenty dollars (\$2,120.00).

2. Nonresidential Water Service: The fee for standard installation of nonresidential (commercial, industrial, multi-family residential, etc.) water service performed by employees of the water and sewer department shall be as follows:

- a. Three-fourths inch ($3/4$ ") line and meter: Same fee as residential installation above;
- b. One inch (1") line and meter: Same fee as residential installation above;
- c. One and one-half inch ($1\frac{1}{2}$ ") line and meter: Two thousand six hundred seventy dollars (\$2,670.00);
- d. Two inch (2") line and meter: Three thousand four hundred thirty five dollars (\$3,435.00);
- e. Three inch (3") line and meter: Four thousand seven hundred forty dollars (\$4,740.00);
- f. Four inch (4") line and meter: Six thousand five hundred thirty dollars (\$6,530.00);
- g. Five inch (5") line and meter: Six thousand eight hundred thirty dollars (\$6,830.00);
- h. Six inch (6") line and meter: Seven thousand eight hundred sixty dollars (\$7,860.00);

- i. Eight inch (8") line and meter: Eight thousand three hundred ten dollars (\$8,310.00);
 - j. Larger than eight inch (8") meter and line: Actual cost.
3. Two Water Service Lines: When water service installation is requested for the concurrent installation of two (2) water service lines each of which is one inch (1") or less in size and both are to serve a single location on a single property, the fee for such dual service line installation shall be as follows:
- a. Two (2) $\frac{3}{4}$ -inch water service lines and meters: Two thousand two hundred sixty three dollars (\$2,263.00).
 - b. One $\frac{3}{4}$ -inch water service line and meter and one 1-inch water service line and meter: Two thousand three hundred thirty nine dollars (\$2,339.00).
 - c. Two (2) 1-inch water service lines and meters: Two thousand four hundred eighty nine dollars (\$2,489.00).
4. CBD District Installation Fees For Multi-Family Redevelopment Projects: Due to the significant number of vacant buildings, and the number of multi-story buildings with activity solely on the ground floor, the city desires to provide incentives to redevelop the various buildings in the CBD zoning district. This incentive should aid the city in reducing blight in the CBD district, provide expanded and new uses for the existing structures, support new construction or remodeling of these buildings in order to adapt them for more productive uses, and support various economic redevelopment efforts in the historic portions of the downtown area. Therefore, the city manager is hereby authorized to negotiate a discount to be applied in the form of a partial refund of the installation fee for development and redevelopment of the buildings in the CBD zoning district on the following conditions:
- a. For those installations converting one or more upper stories of CBD buildings into apartments which will have meter service, the discount refund of part of the service fee for each such residential service must not exceed one-half ($\frac{1}{2}$) of the service fee set forth in subsection A2 of this section for multi-family residential;
 - b. The city manager may also negotiate for a reduced bond on the proposed sidewalk cut required under section 12.04.010 of this code in an amount adequate to pay the city for the anticipated costs of sidewalk repair by city crews, and in an amount not to be less than one thousand two hundred dollars (\$1,200.00);
 - c. All such meter service for such multi-family residential units must be located in a single vault serving a single building;
 - d. Each such meter service must be for a line of three inches (3") or less;
 - e. All street cuts, sidewalk cuts, and similar demolition must be performed by the city to a level and quality meeting or exceeding city standards, and the sidewalk bond shall be used to pay for the city's repair of the sidewalk, including equipment, labor and materials;
 - f. All service fees under subsection A2 of this section must be paid in full, and the negotiated discount shall then be returned to the developer following inspection and approval by the city of the meter vault, sidewalk repairs and street repairs.

B. Installation In Excess Of Normal Requirements: In the event the installation of water service requires material, equipment, and labor above normal requirements, the person, firm or corporation requesting such service shall be required to pay, in addition to the regular installation fee, the full cost of the labor, equipment, and material which is required over and above normal installation requirements, and shall further be required to pay an additional amount equal to ten percent (10%) of said additional material, equipment, and labor cost to cover the expense of supervision necessitated by said installation.

C. Contract Installation Of Water Services And Water Lines:

1. Installation of water service for major development projects may be accomplished by contract when approved by both the water and sewer department supervisor and the public works director. In such cases, installation of the water service line and meter can/box/vault as well as any necessary street repairs must comply with city of Okmulgee design standards. Contract work performed must be inspected and accepted by the water and sewer department supervisor or his designated representative. The fee for inspection of a service line installation shall be as follows:

a. Three-fourths inch ($\frac{3}{4}$ ") to two inch (2") water service installation: Twenty five dollars (\$25.00) per water service installed.

b. Any water service installation larger than two inches (2"): Two hundred fifty dollars (\$250.00) per water service installed.

2. When water service installation is performed by contract, an order for water meter installation only shall be placed with the community development department for required water meters. The installed water meter(s) remains the property of the city of Okmulgee. The fee charged for water meter installation only shall be as follows:

a. Residential (single-family unit):

(1) Three-fourths inch ($\frac{3}{4}$ ") meter: Two hundred eighty five dollars (\$285.00);

(2) One inch (1") meter: Three hundred forty five dollars (\$345.00);

(3) One and one-half inch ($1\frac{1}{2}$ ") meter: Five hundred seventy five dollars (\$575.00).

b. Nonresidential (commercial, industrial, multi-family residential, etc.):

(1) Three-fourths inch ($\frac{3}{4}$ ") meter: Two hundred eighty five dollars (\$285.00);

(2) One inch (1") meter: Three hundred forty five dollars (\$345.00);

(3) One and one-half inch ($1\frac{1}{2}$ ") meter: One thousand two hundred fifty five dollars (\$1,255.00);

(4) Two inch (2") meter: One thousand nine hundred fifty dollars (\$1,950.00);

(5) Three inch (3") meter: Two thousand four hundred thirty dollars (\$2,430.00);

(6) Four inch (4") meter: Four thousand one hundred ten dollars (\$4,110.00);

(7) Five inch (5") meter: Four thousand one hundred ten dollars (\$4,110.00);

(8) Six inch (6") meter: Five thousand fifty five dollars (\$5,055.00);

(9) Larger than six inch (6") meter: Actual cost of meter.

3. Construction of water lines by contract must receive advance authorization by the water and sewer department supervisor and the public works director and must be inspected and have work accepted by the water and sewer department supervisor or his designated representative. Contractors performing such construction must comply with all city of Okmulgee design standards and all Oklahoma department of environmental quality (ODEQ) requirements. The fee for city inspection of water line construction shall be one dollar twenty cents (\$1.20) per linear foot with a minimum fee of two hundred fifty dollars (\$250.00).

D. Approval Needed For Installation Of Water Service Outside City Limits: The city manager or his designee must approve the installation of all water service installed outside and beyond the incorporated limits of the city prior to the installation of the water service by the water and sewer department of the city.

E. Fire Suppression Sprinkler System Fee: The fee for inspection of newly installed or modified fire suppression sprinkler systems shall be two hundred dollars (\$200.00).

F. Rate Increases: Hereafter, rate increases shall be made effective by the adoption of a resolution, and may not be changed more often than semiannually. (Ord. 2047, 2014: Ord. 2041, 2014: Ord. 1981, 2011: Ord. 1977, 2011)

13.16.010: CONNECTION PERMIT; REQUIRED:

No person, firm or corporation shall connect or procure to be connected any plumbing or private drain to the sanitary sewage system of the city unless they have procured a permit to do so. (Ord. 1977, 2011)

13.16.020: CONNECTION PERMIT; APPLICATION AND BACKFLOW PREVENTION DEVICES:

A. Sewer connection permits may be obtained by making application therefor to the community development department and tendering a permit fee that is set not more often than semiannually by resolution of the city council or by executive order of the city manager. Such fee schedule shall be available to the public and by providing a copy with each application and by including it with a list of all fees for development within the city.

- B. At the time of the application, the applicant shall be offered a choice of either: 1) installing on the private sewer line an approved type of backflow prevention device at applicant's expense, or 2) paying an inspection fee to have an existing backflow prevention device inspected by the city to determine present sufficiency. (Ord. 1977, 2011)

13.16.030: WATER AND SEWER DEPARTMENT AND CITY; SUPERVISION AND OBLIGATIONS:

All connections to the sanitary sewage system shall be made under the supervision of the city water and sewer department supervisor or his designee. The city shall not be obligated to, nor be responsible for digging sewer line ditches, laying sewer tile or pipe up to the point of connection with the lateral or main, nor for backfilling the ditches after the connection has been made. (Ord. 1977, 2011)

13.16.040: TAPPING SEWER MAINS; REQUIRED EQUIPMENT:

No person, firm, or corporation shall tap any sewer main of the city sewage disposal system except and unless they use at the time of making the tap a "sewer tapping saddle" or a "wye", as prescribed by the city's standard specification, which devices are used for the purpose of protecting sewage disposal facilities and lines, and with the view of preventing damage thereto at the time taps are made. All taps shall be made in accordance with the city's standard specification for the tapping of sewer mains. No sanitary sewer service line providing service for a single property shall be connected to a city sanitary sewer interceptor main without the approval of the city manager. (Ord. 1977, 2011)

13.16.050: SEWER SYSTEM FEE SCHEDULE:

It is declared to be the policy of the city to charge and collect a connection authorization and inspection (tap) fee and a sanitary sewer system impact fee for each and every connection made to the city's sanitary sewer system under the provisions of this chapter. A "connection" as used in this section is defined as access to the city's system for one serviced property. The charge shall be in accordance with the following schedule:

- A. Unless the city manager directs otherwise, all connections (taps) to the city sanitary sewer system shall be performed at the expense of the property owner by plumbers or contractors licensed to perform such work. The connection authorization and inspection (tap) fee for each connection to the system shall be two hundred fifty dollars (\$250.00).

- B. In addition to the connection authorization and inspection (tap) fee, an impact fee shall be paid, based upon the size of water meter servicing any property within the city limits, in accordance with the following schedule:

3/4 inch residential meter	\$ 1,000 .00
1 inch residential meter	1,500 .00
1 1/2 inch residential meter	2,000 .00
3/4 inch commercial meter	1,200 .00
1 inch commercial meter	2,000 .00
1 1/2 inch commercial meter	5,000 .00
2 inch commercial meter	8,000 .00
3 inch commercial meter	18,000 .00
4 inch commercial meter	32,000 .00
5 inch commercial meter	50,000 .00
6 inch commercial meter	72,000 .00
8 inch commercial meter	129,000 .00

- C. Hereafter, fee increases shall be made effective by the adoption of resolution, and may not be changed more often than semiannually. (Ord. 1977, 2011)

13.16.060: CONNECTION OUTSIDE CITY; APPLICATION FOR PERMIT:

Any person, firm or corporation desiring to procure the connection of property located outside the incorporated limits of the city with the sewer system of the city shall make application therefor with the city clerk. (Ord. 1977, 2011)

13.16.070: CONNECTION TO EXISTING SEWER; EXTENSION:

- A. Connection To Existing Sanitary Sewer Mains: The application shall set forth the legal description of the property and the exact location of the buildings thereon sought to be served by the sewer connection. The application shall be reviewed by the water and sewer department supervisor to determine feasibility of the requested connection and to provide a recommendation to the city

manager. If approved by the city manager, the applicant shall pay the required connection authorization and inspection (tap) fee and the required impact fee and shall receive in return authorization to have a plumber connect the sanitary sewer service line for the property to the city's sanitary sewer main in accordance with city specifications and as directed by the water and sewer department supervisor. The connection to the city's main shall be inspected by the water and sewer department supervisor or his designated representative.

B. Connection Requiring Extension Of The City's Sanitary Sewer Main: Application for connection to the city's sanitary sewer system involving the extension of a sanitary sewer main shall be made in accordance with the procedures described in section 13.16.045 of this chapter. (Ord. 1977, 2011)

13.16.080: CONNECTION OUTSIDE CITY; CHARGES:

All those outside the city limits who are authorized to connect to the city's sanitary sewer system for service shall be charged one and one-half ($1\frac{1}{2}$) times the connection authorization and inspection (tap) fee and one and one-half ($1\frac{1}{2}$) times the impact fee charged for those connecting within the city limits. (Ord. 1977, 2011)

13.16.090: SIZE SPECIFICATION:

No sewer main shall hereafter be constructed within the incorporated limits of the city or as an extension to the city's sanitary sewer system outside the incorporated limits of the city which is less than eight inches (8") in diameter. (Ord. 1977, 2011)

13.16.100: CONNECTION PERMIT ISSUANCE; COMPLIANCE:

No sewer connection permit shall be issued unless it is determined that such proposed sanitary sewer complies in all respects with current city specifications. (Ord. 1977, 2011)

Chapter 12.04

OPENINGS IN PAVEMENT

12.04.010: PERMIT REQUIRED; BOND AND FEE:

No person, firm or corporation shall open or make a cut in the surface of any street, alley or sidewalk of the city without first obtaining a permit. The city clerk or his/her designee shall issue the permit when:

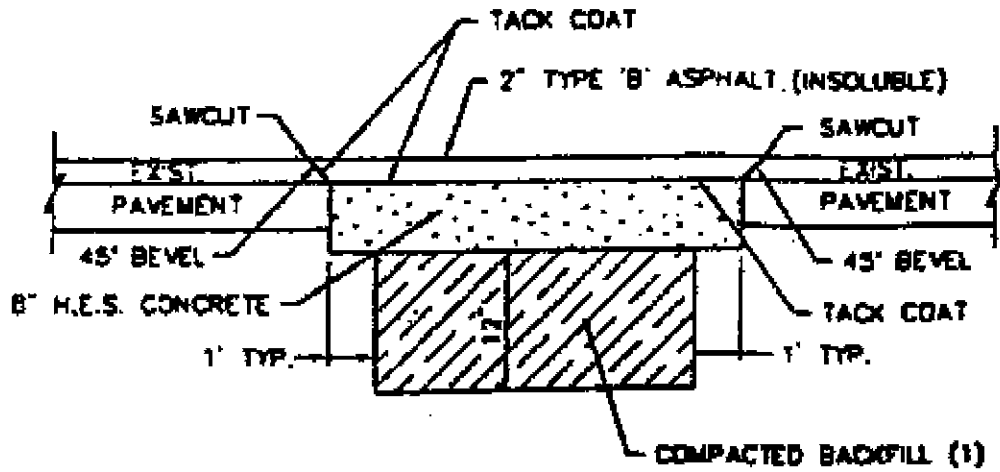
- A. The proposed cut has been approved in writing by the city inspector; and
- B. The applicant has furnished a performance bond of not less than ten thousand dollars (\$10,000.00); and
- C. The applicant has paid a permit and inspection fee of thirty dollars (\$30.00). (Ord. 1896 § 1, 2007)

12.04.020: CUTS AND INSPECTION:

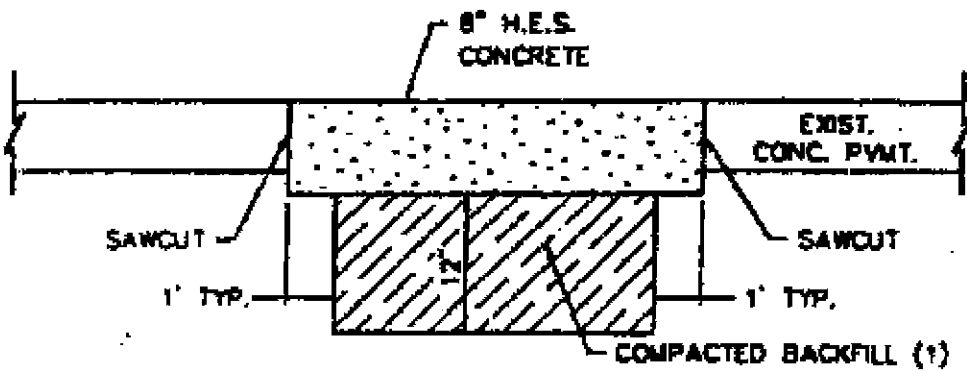
In opening or making a cut in the surface of any street, alley or sidewalk, the applicant shall saw through the permanent cap in such manner that the cap can be removed without disturbing or causing damage in any manner to the surrounding area. Prior to closing in the cut, approval of the city inspector must be obtained. (Ord. 1896 § 2, 2007)

12.04.030: STANDARDS FOR FILL AND CLOSING:

The closing in shall be done by backfill with loose compactable material, tamping the backfill after each six inches (6") of lift, to conform to Oklahoma highway standards, to the base of the surrounding street cover. The city inspector must approve the fill prior to capping. If the street is surfaced with concrete, a paving cap of three thousand (3,000) pounds test concrete shall be applied from the base to the driving surface at least a thickness of eight inches (8") to conform to Oklahoma highway standards. If the street is surfaced with an asphalt, a paving cap of three thousand (3,000) pounds test concrete shall be applied from the base to within two inches (2") of the driving surface at least a thickness of eight inches (8"), and a surface layer of two inches (2") of type A asphalt shall be poured and compressed to bring the surface of the cut area to the surface of the surrounding area and so shaped as to not hold water in the area of the repair, all to conform to Oklahoma highway standards. See the sample graphic.



**FULL DEPTH CONCRETE REPAIR
FOR APC PAVEMENT**
NOT TO SCALE



**FULL DEPTH CONCRETE REPAIR
(SEE STD. PCPR-2)**
NOT TO SCALE

(Ord. 1896 § 2, 2007)